



HANDLING AND STORAGE

SERVING THE FOOD INDUSTRY SINCE 1951

24-INCH STAINLESS STEEL MOBILE RECEIVING DESK

Item: 43470



KEEP TRACK OF INCOMING AND OUTGOING SHIPMENTS AND INVENTORY ACCURATELY

Omcan's mobile receiving desk is fabricated in stainless steel and can be wall mounted. Equipped with a lockable storage compartment, additional bottom storage, and casters for mobility. Built for convenience and accommodate easy workflow in a busy workplace. Assembly required.



WARRANTY



Authorized Dealer

HANDLING AND STORAGE

24-INCH STAINLESS STEEL MOBILE RECEIVING DESK



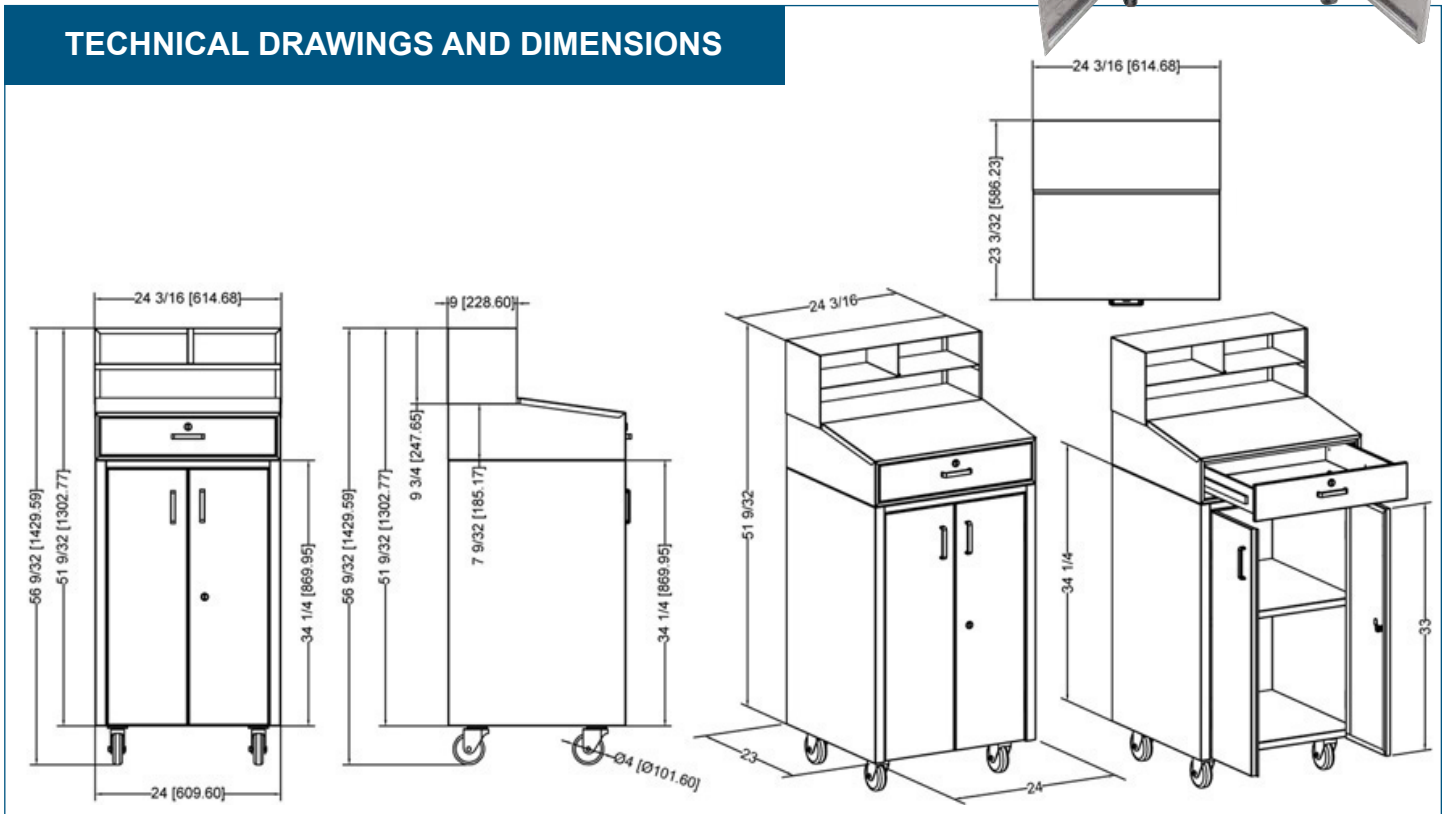
- 20 Gauge. 430 Stainless Steel upper main body, top
- 20 Gauge. 430 Stainless Steel drawer with ball roller bearing slide
- 20 Gauge. 430 Stainless Steel lower body, left door, right door
- 18 Gauge. 430 Stainless Steel drawer side
- 18 Gauge. 430 Stainless Steel mid-shelf and bottom
- 18 Gauge. 430 Stainless Steel wheel channel; 4" casters (2 front wheels w/ locks)
- Locks for drawer and door are included



TECHNICAL SPECIFICATIONS

ITEM	43470
DESCRIPTION	Comes with 4" casters (2 front wheels w/ locks) Locks for drawer and door are included
DIMENSIONS (WDH)	24" x 23" x 56" / 612 x 585.2 x 1428 mm
WEIGHT	111 lbs. / 50.34 kg.

TECHNICAL DRAWINGS AND DIMENSIONS



OMCAN INC.

Telephone: 1-800-465-0234
 Fax: (905) 607-0234
 Email: sales@omcan.com
 Website: www.omcan.com



Follow us to keep up to date with the latest news and offers

